

FMLE SERIES Residential Lighting

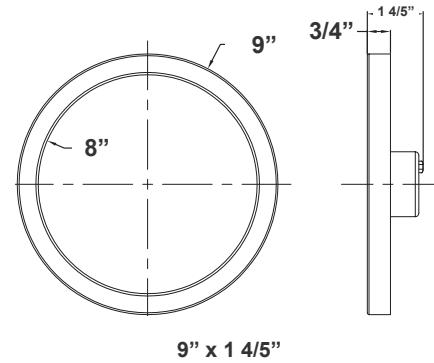
FMLE-R9-MCT5-E26

WESTGATE
THE FUTURE IS HERE...AND IT'S QUITE BRIGHT!



Flush Mount lighting can use in most rooms of the house, especially those where you want ambient, general light. It's especially useful for hallways, kitchens, family rooms, bathrooms, closets, and bedrooms. Also Ideal for closets, storage areas, attics, corridors, or general lighting solutions for residential and commercial applications.

Customer Name: _____
Project Name: _____
Note: _____ | Type: _____



Features

- Unique DOB (Driver On Board) LED Board Enclosed in Clear PC Cover for Better Performance
- Multi CCT (Selectable Switch on LED Board Under the Lens)
- Die-cast Aluminum. Powder-Coated
- 5-Year Warranty
- 1" Deep

Technical Specification

Electrical:

- Voltage: 120V AC
- Power Factor: >0.90
- THD: <20%
- Wattage: 17W
- Efficacy: 76 LP

Mechanical:

- Composite Polycarbonate, White Finish
- Recessed Mounting Kit Included
- E26 Medium-Base Socket Converter Included
- Maximum Ambient Temperature: -4°F to 113°F
- Suitable for Damp Locations
- 5-Year Warranty

Lighting:

- Multi CCT (Selectable Switch on Driver)
- LED: Edge Lit LED Technology
- Dimming: TRIAC Dimming (Using Standard TRIAC LED Dimmers)
- Total Lumens: 1300LM
- Color Temperatures: 2700/3000/3500/4000/5000K
- Color Rendering Index: CRI ≥ 90
- Beam angle: 120°
- Rated life: 50,000 hrs

Applications:

- Flush Mount lighting can use in most rooms of the house, especially those where you want ambient, general light. It's especially useful for hallways, kitchens, family rooms, bathrooms, closets, and bedrooms. Also Ideal for closets, storage areas, attics, corridors, or general lighting solutions for residential and commercial applications

Other Models:

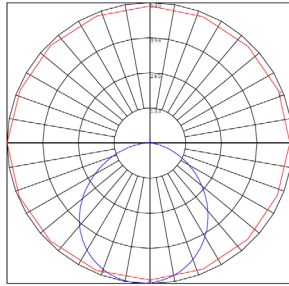
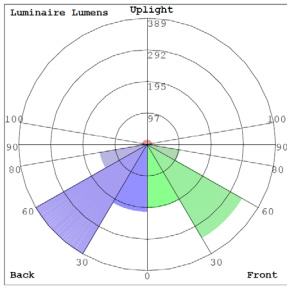
• 9W | 650LM | FMLE-R5-MCT5-E26 • 14W | 1100LM | FMLE-R7-MCT5-E26 • 17W | 1300LM | FMLE-R9-MCT5-E26



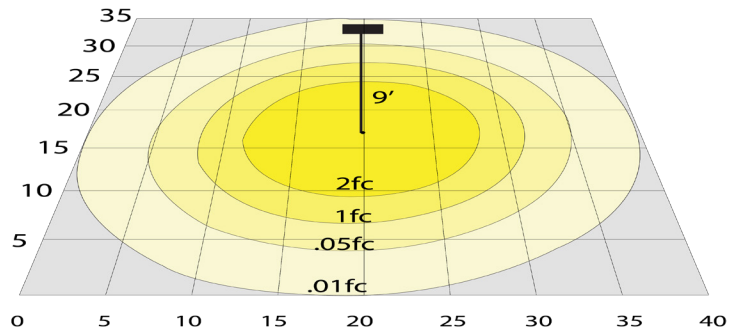
Phone: (877) 805-2252 | Fax: (877) 805-2252
www.westgatemfg.com



Photometrics: FMLE-R9-MCT5-E26



BUG Rating: B1-U2-G1



Simulation Based on 4000K Area 35'x 40' Mounting Height: 9'

Other Views:



Side View



Front View



Back View

Performance Table: FMLE-R9-MCT5-E26

MODEL NO.	Wattage	Voltage	Lumens	Color Temp.	BUG Rating	LPW
FMLE-R9-MCT5-E26	17W	120V	1300LM	2700K 3000K 3500K 4000K 5000K	B1-U2-G1	76

Sample Ordering

Model	Size	Color Temp.	Base
FMLE	R9	MCT5	E26

Example:

1. FMLE-R9-MCT5-E26

(FOR FMLE R9 MCT5 FIXTURE 120-277V)

